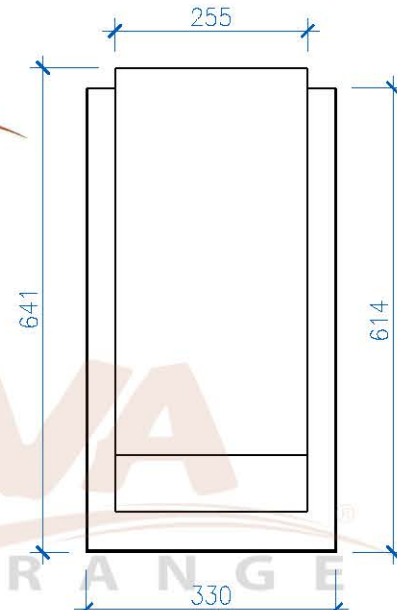


# LA-CHIP-GN

## CHIP-DUMP HOT DISPLAY



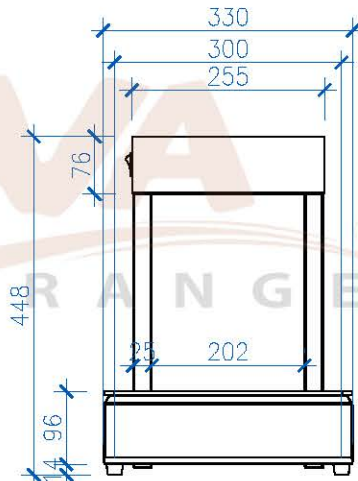
**1 LA-CHIP-GN PLAN**

Scale: 1 : 10



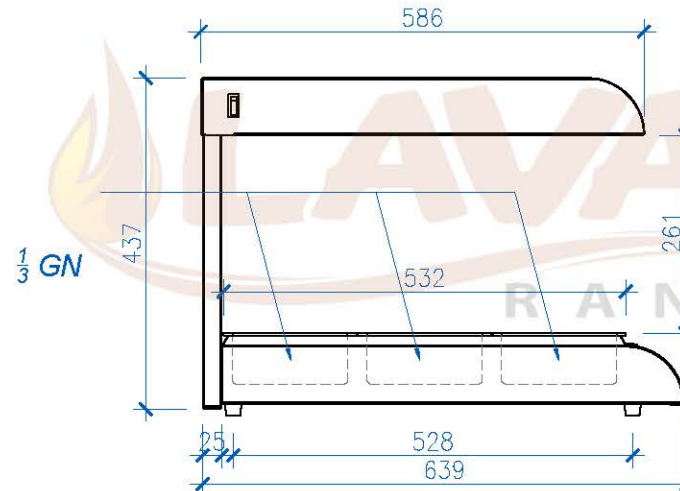
### Specification

- Infrared thermal insulation station
- Black, with light and food dish
- 3pcs 1/3GN Pan
- Capacity: 26L
- Temperature range 50C
- W330 x D641 x H448mm
- 500W



**1 LA-CHIP-GN FRONT**

Scale: 1 : 10



**1 LA-CHIP-GN SIDE**

Scale: 1 : 10

THIS DRAWING MUST NOT BE SCALED

THE CONTRACTOR SHALL VERIFY ALL DIMENSIONS, DATA AND LEVEL PRIOR TO THE COMMENCEMENT OF WORK. ALL ERRORS AND OMISSIONS BETWEEN THE DRAWINGS AND SPECIFICATION ARE TO BE REPORTED IMMEDIATELY.



HOSPITALITY EQUIPMENT 2020 Pty Ltd  
 Address: 6/6 Tennyson Street, GRANVILLE NSW 2142  
 P: 02 9637 3737  
 E: salesnsw@he2020.com.au  
 W: www.he2020.com.au

PROJECT:

Installation:

DRAWING TITLE:

LA-CHIP-GN

DRAWN C.	DATE 07.07.2020	SCALE 1:20(A4)
PROJECT NO. 001	DRAWING NO. 001	REV. A1