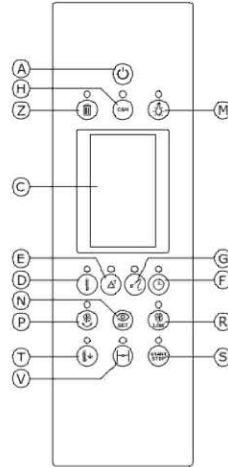




COMPONENT DESCRIPTION OF THE CONTROL PANEL

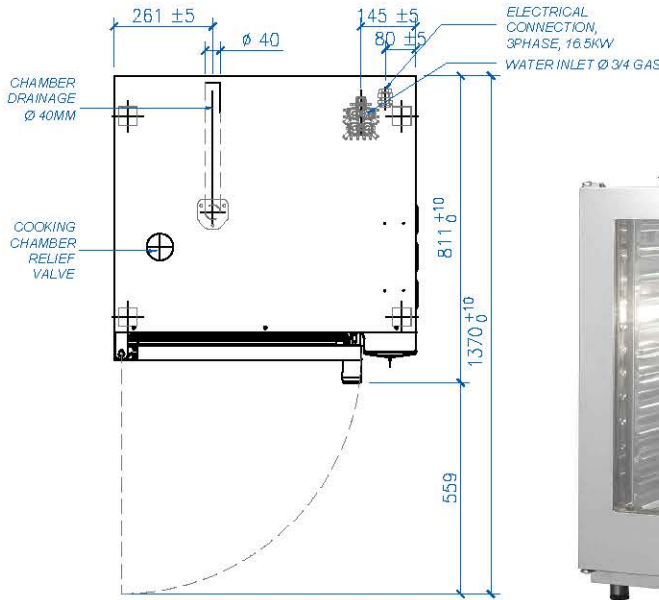
A	ON/OFF button
C	Touch screen display
D	Cooking chamber temperature selection button
E	Delta T function button
F	Cooking time button
G	Core probe temperature button
H	Cook & Hold function button
M	Chamber lighting button
N	Display set button
P	Autoreverse button
R	Reduced ventilation button
S	Cooking /programs starting button
T	Fast cooling button
V	Release valve on/off button
Z	Program cancellation button



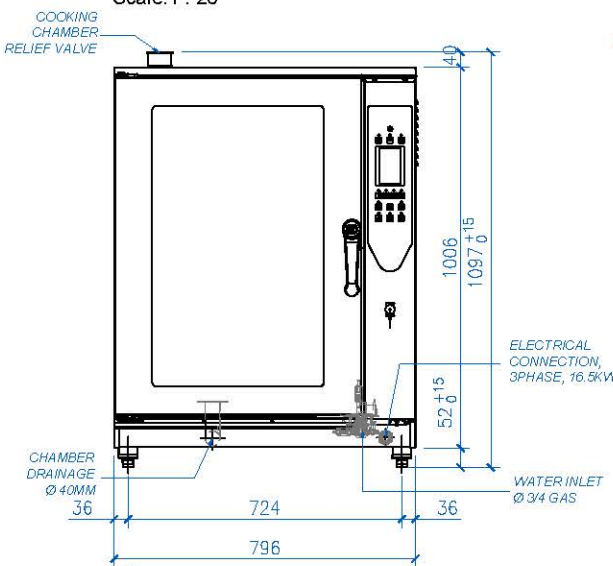
MANUFACTURING FEATURES

- Heating system located on the back side of the cooking chamber;
- Waterproof cooking chamber with rounded edges and deflector panels in stainless steel AISI 304;
- Cooking chamber with external welding;
- External covering panels made of satin stainless steel AISI 430;
- Base chassis made of stainless steel AISI 430;
- Door hinges in stainless steel AISI 304;
- Heating element made of stainless steel Incoloy 800;
- Thermal insulation of the cooking chamber in ceramics fibre;
- Cooking chamber fan made of stainless steel AISI 304;

NOTE:
COMBI MUST 300MM AWAY FROM BURNERS, HOTPLATE OR BARBEQUE



1 LCDTA-111E PLAN
Scale: 1 : 20



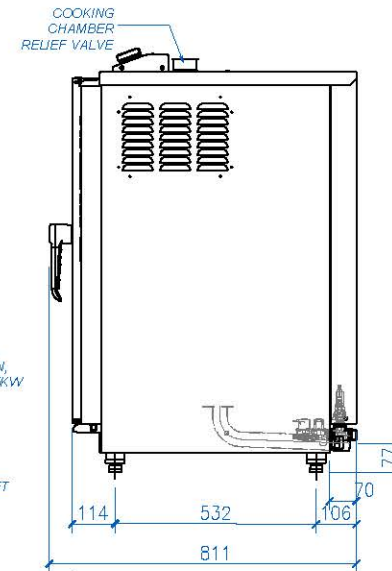
1 LCDTA-111E FRONT
Scale: 1 : 20



LCDTA-111E COMBI STEAMER

Specification

- Electronically controlled temperature
- Rounded corners (forced steaming 100°C)
- Set up steaming 20°C–100°C
- 1 speed fan motor, digital
- Manual Steam release valve
- Capacity : 11 X 1/1 GN, 65mm GN Trays
- Dimension: W796 x D811 x H1097mm
- Weight: 140kg
- Power: 3phase, 16.5kW 25A
- Steam-Temperature range between 50°C and 100°C
- Combi-Temperature range between 50°C and 270°C



1 LCDTA-111E FRONT
Scale: 1 : 20



**SEE: SG-61C
FOR STAND**

THIS DRAWING MUST NOT BE SCALED

THE CONTRACTOR SHALL VERIFY ALL DIMENSIONS, DATA AND LEVEL PRIOR TO THE COMMENCEMENT OF WORK. ALL ERRORS AND OMISSIONS BETWEEN THE DRAWINGS AND SPECIFICATION ARE TO BE REPORTED IMMEDIATELY.



HOSPITALITY EQUIPMENT 2020 Pty Ltd
Address: 6/6 Tennyson Street, GRANVILLE NSW 2142
P: 02 9637 3737
E: salesnsw@he2020.com.au
W: www.he2020.com.au

PROJECT:

Installation:

DRAWING TITLE:

LCDTA-111E

DRAWN C	DATE 02.07.2020	SCALE 1:25(A4)
PROJECT NO. 001	DRAWING NO. 001	REV. A1