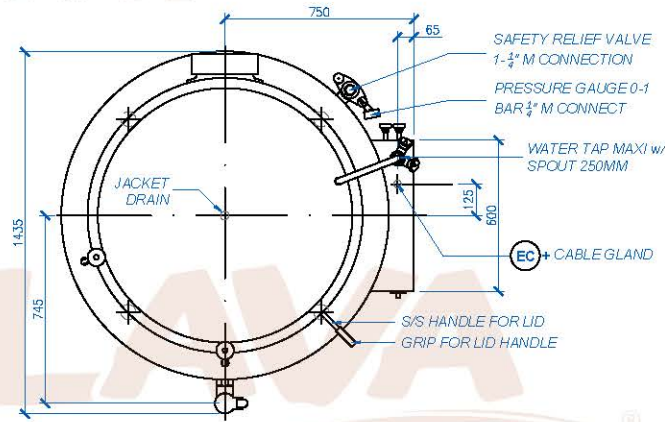




# LPTAF-IE100, LPTAF-IE150, LPTAF-IE200, LPTAF-IE300, LPTAF-IE500 ROUND BOILING PAN



**1 ROUND BOILING PAN PLAN**  
Scale: 1 : 20

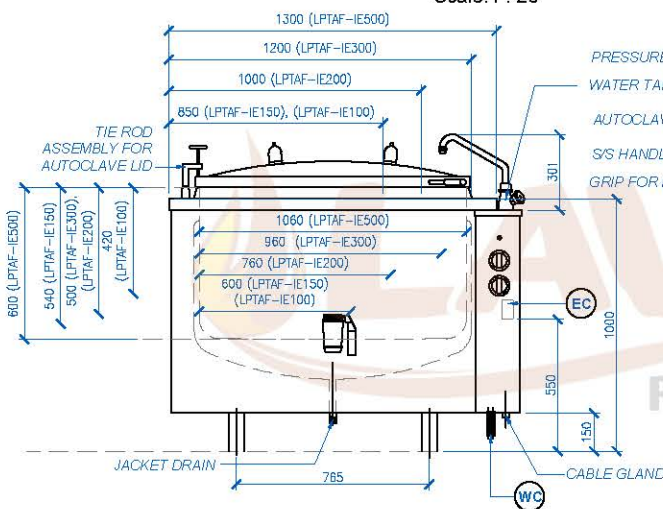


### Features:

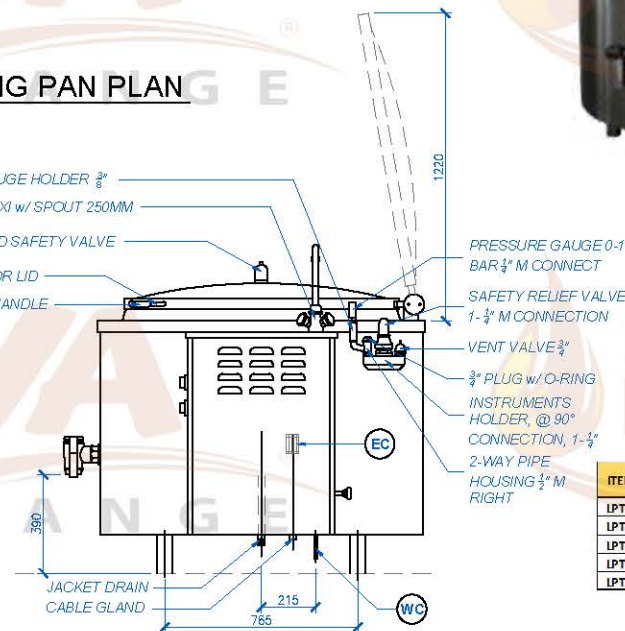
- jacket safety assembly and adjustable legs
- water tap and draining tap 2" conical size
- tank venting grid and tank safety valve
- lid with closing grid and gasket
- safety thermostat and pressure switch
- electronic temperature control and indicator
- cooking tim control with display and buzzer
- manual jacket air venting

### OPTION AND ACCESSORY

- \*\*\*MIXER AVAILABLE ON REQUEST
- \*\*\*AUTO LID AVAILABLE ON REQUEST
- \*\*\*ACCESSORIES AVAILABLE ON REQUEST



**1 ROUND BOILING PAN FRONT**  
Scale: 1 : 20



**1 ROUND BOILING PAN SIDE**  
Scale: 1 : 20

ITEM CODE:	DIMENSION				CONNECTIONS	
	EXTERNAL DIA. (ED)	INTERNAL DIA. (ID)	EXT. HEIGHT (EH)	INT. HEIGHT (IH)	ELECTRICAL (EC)	WATER (WC) @ 100mm AFFL.
LPTAF-IE100	850Ø	600Ø	1000mm	420mm	3phase + N; 12KW	H+C
LPTAF-IE150	850Ø	600Ø	1000mm	540mm	3phase + N; 16KW	H+C
LPTAF-IE200	1000Ø	760Ø	1000mm	500mm	3phase + N; 24KW	H+C
LPTAF-IE300	1200Ø	960Ø	1000mm	500mm	3phase + N; 36KW	H+C
LPTAF-IE500	1300Ø	1060Ø	1000mm	600mm	3phase + N; 48KW	H+C

THIS DRAWING MUST NOT BE SCALED

THE CONTRACTOR SHALL VERIFY ALL DIMENSIONS, DATA AND LEVEL PRIOR TO THE COMMENCEMENT OF WORK. ALL ERRORS AND OMISSIONS BETWEEN THE DRAWINGS AND SPECIFICATION ARE TO BE REPORTED IMMEDIATELY.



HOSPITALITY EQUIPMENT 2020 Pty Ltd  
Address: 6/6 Tennyson Street, GRANVILLE NSW 2142  
P: 02 9637 3737  
E: salesnsw@he2020.com.au  
W: www.he2020.com.au

PROJECT:

Installation:

DRAWING TITLE:  
LPTAF-IE100, LPTAF-IE150, LPTAF-IE200,  
LPTAF-IE300, LPTAF-IE500

DRAWN C.	DATE 08.07.2020	SCALE 1:20(A4)
PROJECT NO. 001	DRAWING NO. 001	REV. A1