

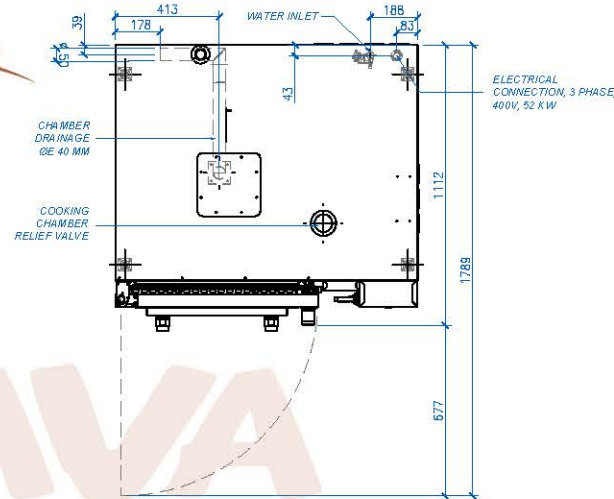


LTDPA-220E PROGRAMMABLE COMBI OVEN

MANUFACTURING FEATURES

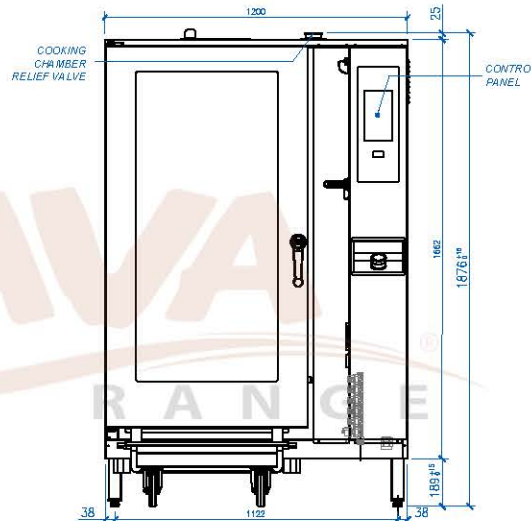
- Control panel equipped with 9" backlighted screen
- Heating system located on the right side of the cooking chamber;
- Height adjustable feet made of plastic material;
- Waterproof cooking chamber with rounded edges and deflector panels in stainless steel AISI 304;
- External covering panels and base chassis made of satin stainless steel;
- Tray-holding racks with U-form guides entirely built in stainless steel AISI 304;
- Stainless steel door AISI 304 with 2 tempered glasses; air circulation between them;
- Handle for door opening with one hand and push shutting;
- Door hinges in AISI 304 with a thickness of 6 mm, with adjustable fixing system to guarantee steam proof;
- Heating element made of stainless steel Incoloy 800 for cooking chamber heating;
- Cooking chamber fan made of stainless steel AISI 316;
- Door gasket (built-in type on the front side of the cooking chamber) made of silicone rubber food type;
- Thermal insulation of the cooking chamber in ceramics fibre;

NOTE:
COMBI MUST 300MM AWAY FROM BURNERS,
HOTPLATE OR BARBEQUE



1 LTDPA-220E PLAN

Scale: 1 : 30



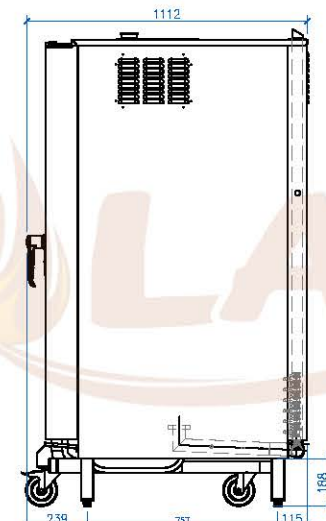
1 LTDPA-220E FRONT

Scale: 1 : 30



Specification

- Touch Screen , Direct Steam
- 250 Programs - 6 setting Each
- Self cleaning, Distance between grids 67mm
- Internal lighting for cooking chamber
- Touch screen control, electronic timer
- Delta-T-Cooking, Cook and hold, Safety door latch
- Electronic control of cooking parameters
- Rounded corners (forced steaming 100°C)
- Set up steaming 50°C - 99°C
- Four speed fan motor, digital
- Core temperature probe
- Automatic preheating
- Fan rotation auto reversing
- Capacity :40 Trays 1/1GN, 65mm GN Trays
- Dimension: W1200 x D1112 x H1876mm
- Weight: 520kg
- Power: 3 phase, 400V, 52 kW
- Water connection: 3/4" gas
- Drain connection: Øe 40 mm
- Steam-Temperature range between 50°C and 100°C
- Combi-Temperature range between 50°C and 270°C



1 LTDPA-220E SIDE

Scale: 1 : 30



SEE: **CRT20T-220T** FOR RACK

THIS DRAWING MUST NOT
BE SCALED

THE CONTRACTOR SHALL VERIFY ALL
DIMENSIONS, DATA AND LEVEL PRIOR
TO THE COMMENCEMENT OF WORK.
ALL ERRORS AND OMISSIONS
BETWEEN THE DRAWINGS AND
SPECIFICATION ARE TO BE REPORTED
IMMEDIATELY.



HOSPITALITY EQUIPMENT 2020 Pty Ltd
Address: 6/6 Tennyson Street, GRANVILLE NSW 2142
P: 02 9637 3737
E: salesnsw@he2020.com.au
W: www.he2020.com.au

PROJECT:

Installation:

DRAWING TITLE:

LTDPA-220E

| | | |
|--------------------|--------------------|-------------------|
| DRAWN C. | DATE 07.07.2020 | SCALE 1:30(A4) |
| PROJECT NO. 001 | DRAWING NO. 001 | REV. A1 |