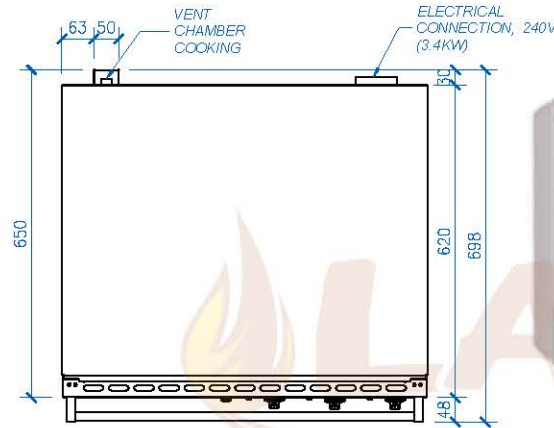
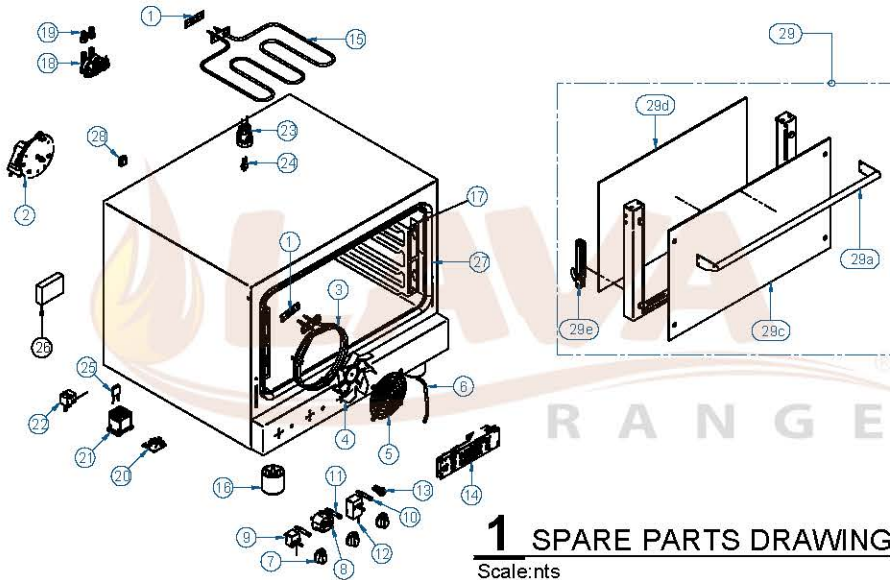


LAVA-T908VX CONVECTION OVEN

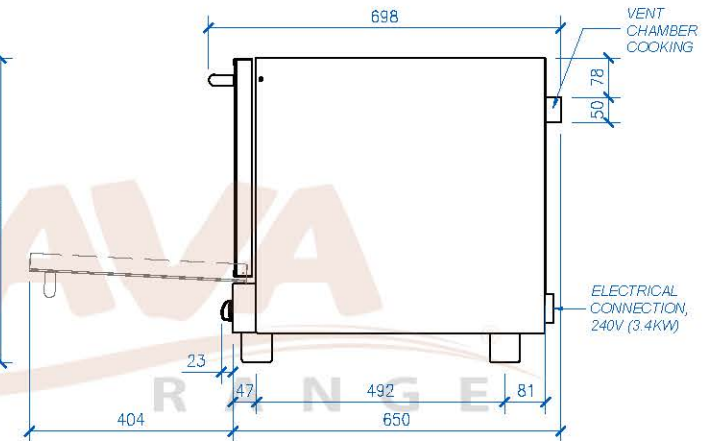
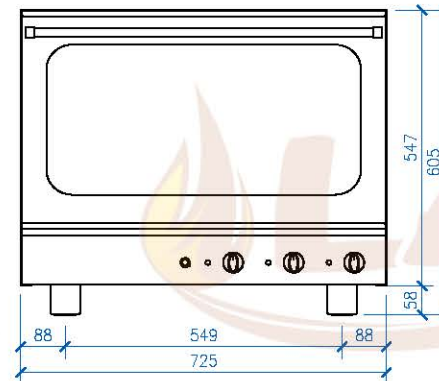


Specification

- Temperature: 50~300 degree
- 4 Tray capacity
- Tray size 600 x 400mm
- Timer 0-120 sec
- Twin fan
- Top Grill
- Spacing between trays 70mm
- Electromechanic controls
- 240V (3.4kw)
- Ext. W725 x D698 x H605mm
- 15 Amp GPO
- Net weight: 52kg

Date:	Nice & Go Tilt-up door	Code exploded	Lava-T908VX
17/02/2020		804.0013.21.U	
Pos.	Description EN	Codice	Q.tà
1	Heating Element Gasket	FFP5-002	2
2	Motor	T30020-00	2
3	Heating Element	C96.0004.00	2
4	Heating Element	C96.0005.00	-
4	Fan	D30010-00	2
4	Ventilation Grid	NG30049-00	2
6	Cooking Chamber Water Injection Pipe	HC-115	2
7	Knob	C5386-12	2
8	Timer	LC-376	1
9	Thermostat	LC-376	1
10	Orange Pilot Lamp	CS411-00	1
11	Green Pilot Lamp	CS410-00	1
12	Timer Salamander	LC-367	-
13	Steam Button	CS421-00	1
14	Electronic Keypad	MC-921-22	-
15	Salamander Heating Element	LC-022	4
16	Foot	HC-393	4
17	Tray Slides Right	NGP0018-00	1
17	Tray Slides Left	NGP0019-00	1
17	Tray Slides Right	NGP0045-00	-
17	Tray Slides Left		-

Date:	Nice & Go Tilt-up door	Code exploded	Lava-T908VX
17/02/2020		804.0013.21.U	
Pos.	Description EN	Codice	Q.tà
18	Solenoid Valve	LC-540	1
19	Solenoid Valve Fitting	HR-850	2
20	Buzzer	C5366-00	2
21	Contactor	LC-310	2
22	Safety Thermostat	LC-378	1
22	Bulb Socket	LC-053	1
24	Lamp	LC-051	1
26	Contactor R1	LC-312	-
26	Terminal Board	T30141-00	1
27	Cooking Chamber Gasket	NGP000490	1
28	Equipotential	LC-413	1
28	Oven Door	C14.0126.00	1
28	Oven Handle	C12.0092.00	1
28	External Glass	C56.0063.00	1
28	Internal Glass	C56.0048.00	1
28	Hinge	C48.0005.00	2



THIS DRAWING MUST NOT BE SCALED

THE CONTRACTOR SHALL VERIFY ALL DIMENSIONS, DATA AND LEVEL PRIOR TO THE COMMENCEMENT OF WORK. ALL ERRORS AND OMISSIONS BETWEEN THE DRAWINGS AND SPECIFICATION ARE TO BE REPORTED IMMEDIATELY.



HOSPITALITY EQUIPMENT 2020 Pty Ltd
Address: 6/6 Tennyson Street, GRANVILLE NSW 2142
P: 02 9637 3737
E: salesnsw@he2020.com.au
W: www.he2020.com.au

PROJECT:

Installation:

DRAWING TITLE:

T908VX

DRAWN	DATE	SCALE
C.	07.07.2020	1:20(A4)
PROJECT NO. 001	DRAWING NO. 001	REV. A1